



SERVING THE FOOD INDUSTRY SINCE 1951

COUNTERTOP STAINLESS STEEL PIZZA OVEN

Item: 43219 | Model: CE-CN-1450

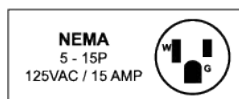
HAVE YOUR SIGNATURE PIZZAS READY AND ON THE GO

Omcan's countertop stainless steel pizza oven is ideal for pizza shops, restaurants, and other snack bars. Features a 13.5" chrome wire rack (with cool touch handle) which could hold pizzas up to 12" in diameter. Boasting a powerful 1450 Watts for fast baking and a 30-minute timer and auto-shut off for easy usage.



WARRANTY

PARTS AND LABOR



Authorized Dealer

FOOD EQUIPMENT

COUNTERTOP STAINLESS STEEL PIZZA OVEN

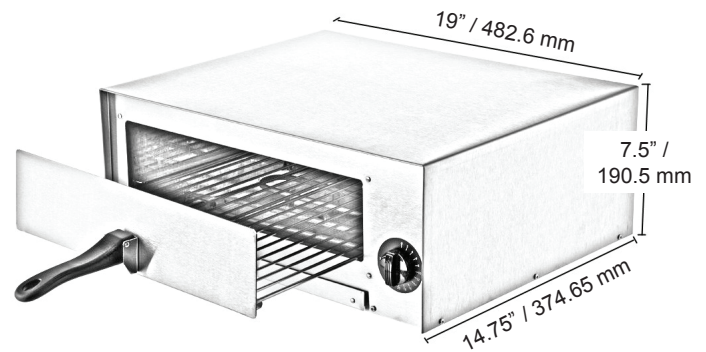


- Stainless steel body
- Power: 1450 Watts for fast baking
- Chrome wire rack with cool touch handle
- Maximum temperature: 608°F / 320°C
- Removable crumb tray
- 30-minute timer and auto-shut off
- Bake or heat pizza up to 12"



ITEM NUMBER	43219
MODEL	CE-CN-1450
MATERIAL	Stainless Steel
PIZZA DIAMETER	12" / 305 mm
TIMER	30 minutes
ELECTRICAL	120V / 60Hz / 1Ph
CURRENT	14 Amps
POWER	1450 Watts
MAXIMUM TEMPERATURE	608°F / 320°C
RACK DIMENSIONS	13.5" x 13.5" 342.9 x 342.9 mm
DIMENSIONS (WDH)	19" x 14.75" x 7.5" 482.6 x 374.65 x 190.5 mm
PACKAGING DIMENSIONS	21.3" x 18.9" x 9.05" 540 x 480 x 230 mm
WEIGHT	12.2 lbs. / 5.6 kg.
PACKAGING WEIGHT	14.4 lbs. / 6.55 kg.

TECHNICAL DRAWINGS AND DIMENSIONS



OMCAN INC.

Telephone: 1-800-465-0234
 Fax: (905) 607-0234
 Email: sales@omcan.com
 Website: www.omcan.com



Follow us to keep up to date with the latest news and offers

